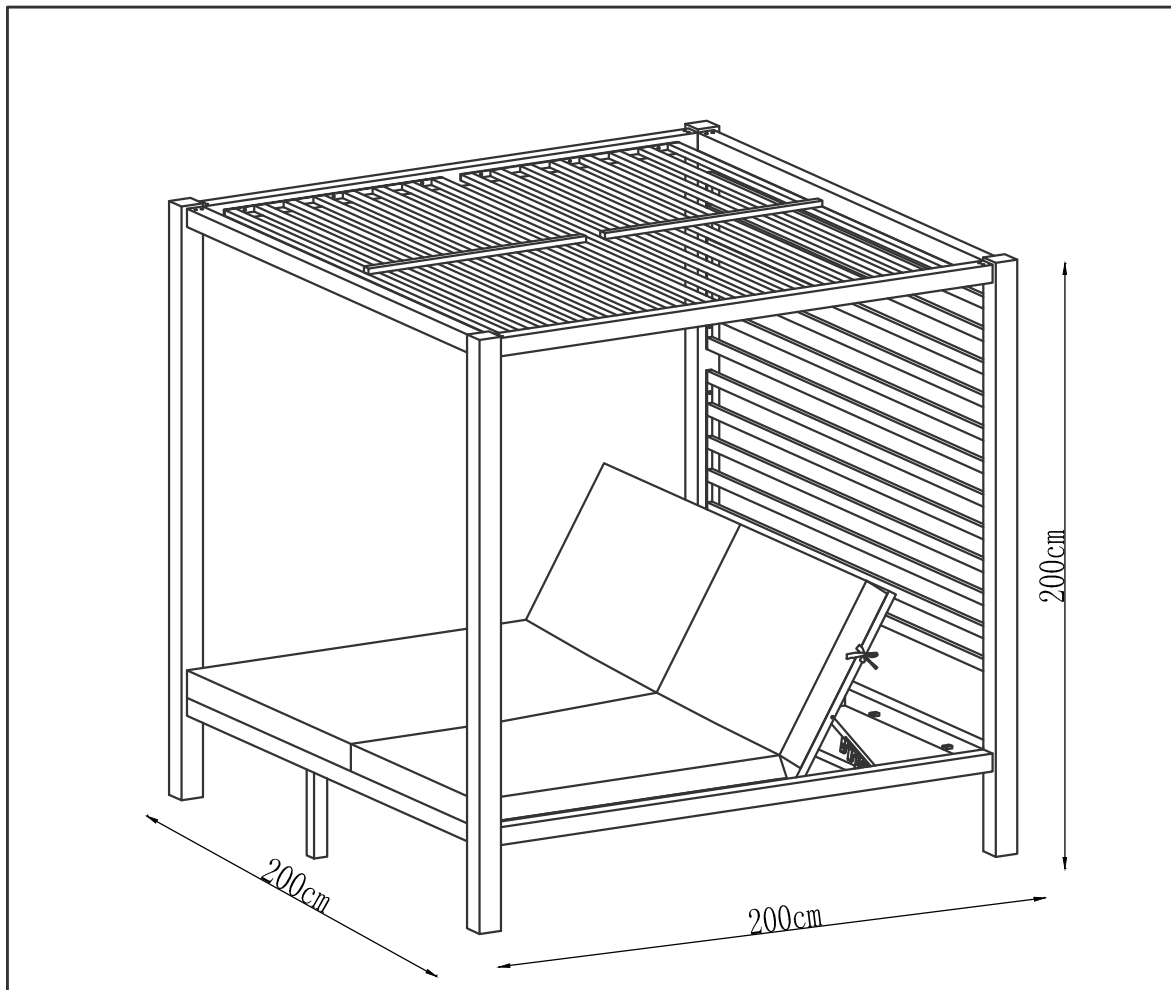




ASSEMBLY INSTRUCTION
CASABLANCA OUTDOOR DAYBED
ITEM CODE - 56758

Imported by Amart Furniture Pty Ltd, Qld, Brisbane Australia .
For any assistance with assembly or for missing parts please phone
Amart Furniture , Customer Service Freecall 1800 351 084


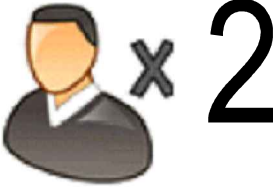


Imported by Amart Furniture Pty Ltd, Qld, Brisbane Australia .
For any assistance with assembly or for missing parts please phone
Amart Furniture , Customer Service Freecall 1800 351 084

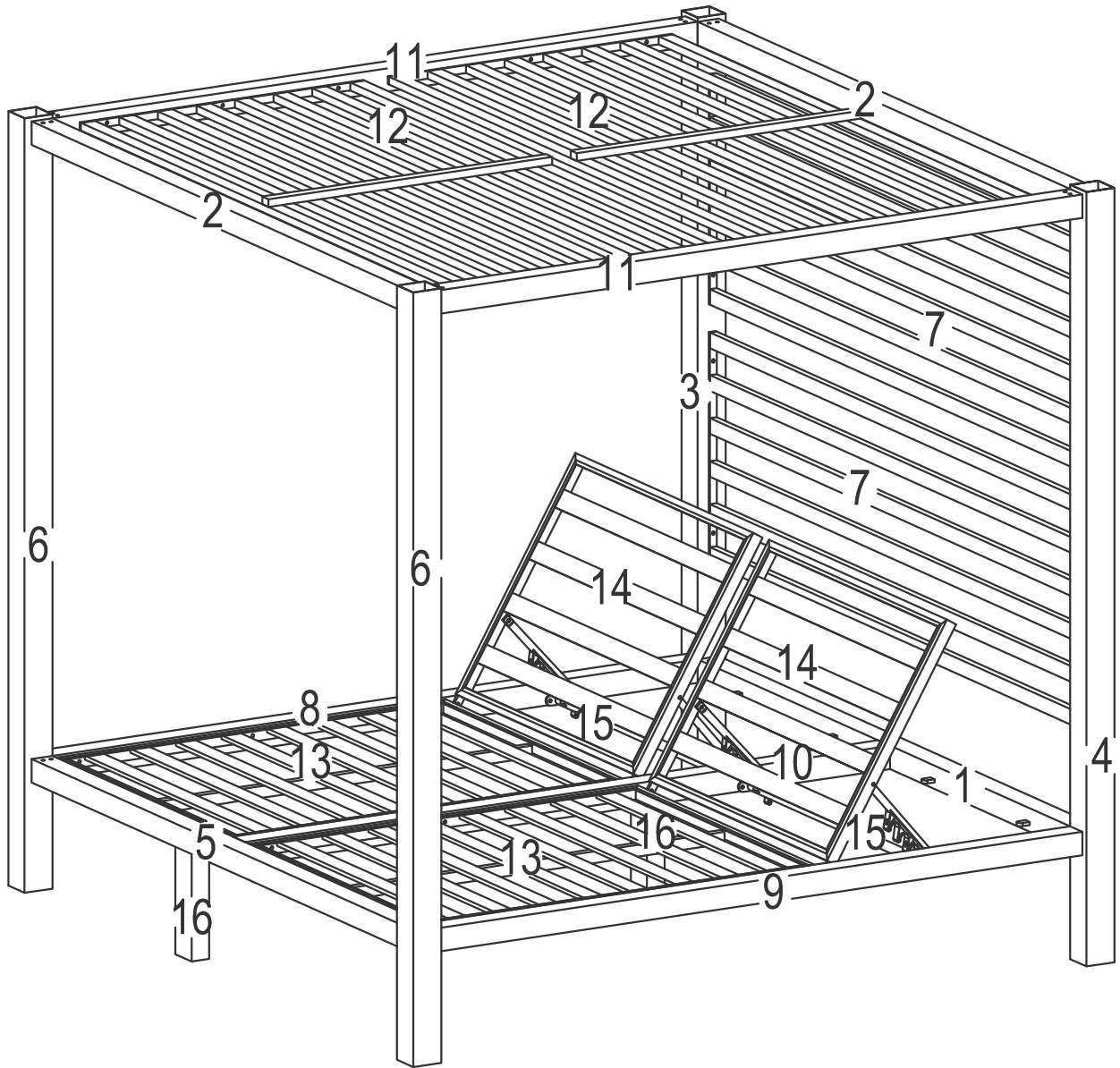
PRE-ASSEMBLY PREPARATION

Before you start:

1. Choose a clean, level, spacious assembly area. Avoid hard surfaces that may damage the product.
2. Take care when lifting. Product should be assembled as near as possible to the point of use.
3. Ensure that you have all required contents for complete assembly.
4. Always read the assembly instructions carefully before beginning assembly.
5. Keep all hardware parts and packaging out of reach of small children.
6. Do not over tighten the screws and bolts as this may damage the threads.

	
ALLOW 2 HOURS	PEOPLE REQUIRED
ADDITIONAL TOOLS REQUIRED	

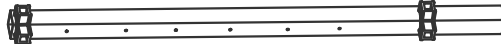
PARTS LIST




1 Back cross beam  1

2 Top beam  2

3 Left back leg  1

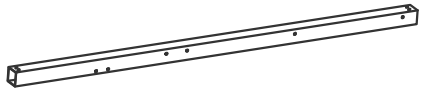

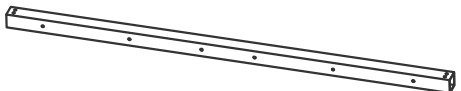
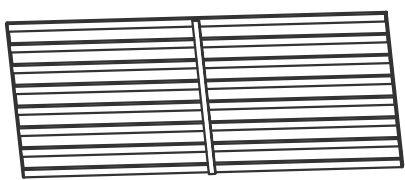
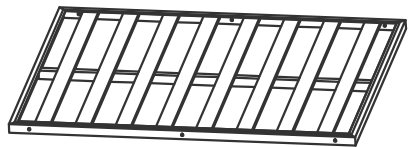
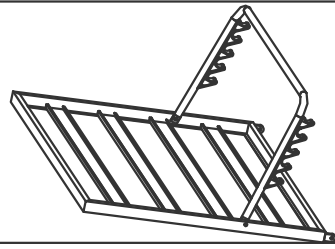

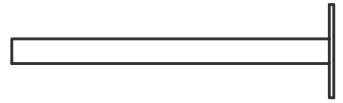
4 Right back leg  1

5 Front cross beam  1

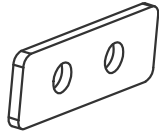
6 Front leg  2

7 Back panel  2

8 Left beam  1

9	Right beam		1
10	Center beam		1
11	Top side beam		2
12	Top panel		2
13	Seat panel		2
14	Back panel		2
15	Back panel support bar		2
16	Center support leg		2

A. Washer



50*25*4MM*20PCS

B. Bolt



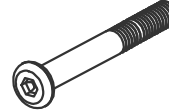
M6*20*40PCS

C. Bolt



M6*30*20PCS

D. Bolt



M6*75*20PCS

E. Plastic washer



M6*4PCS

F. Wrench



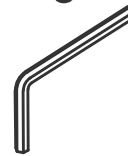
M6*1PCS

G. Nut



M6*36PCS

H. Hexagon Key



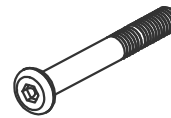
M6*1PCS

K. Shim



M6*132PCS





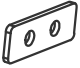






L. Bolt



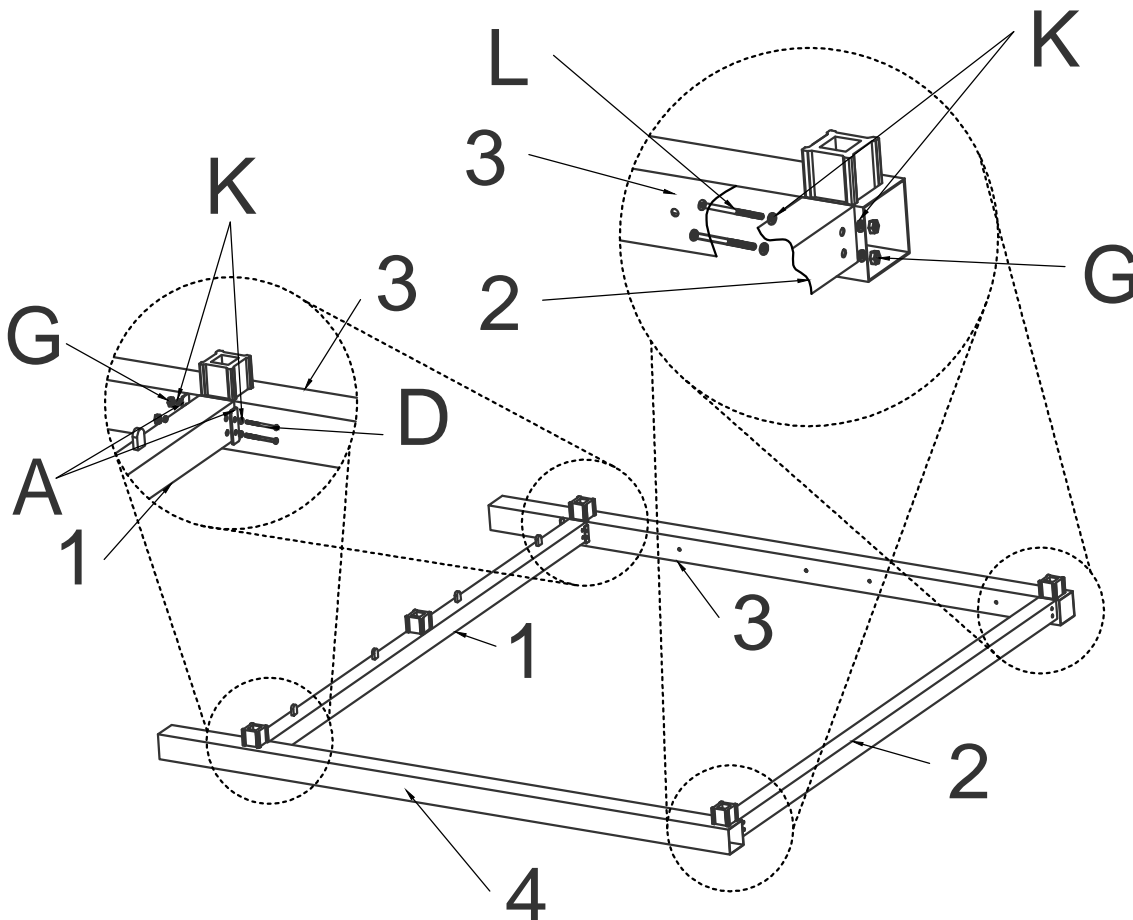
M6*70*16PCS

Step 1:

ITEMS REQUIRED





1. Back cross beam 1PC 	2. Top beam 1PC 	3. Left back leg 1PC 	4. Right back leg 1PC 	A. Washer  50*25*4mm*4PC
D. Bolt  M6*75*4PC	G. Nut  M6*8PC	F. Wrench  M6*1PC	H. Hexagon Key  M6*1PC	K. Shim  M6*16PC
L. Bolt  M6*70*4PC				

- Attach back cross beam (1) to back leg (3&4), Using washer (A), bolt (D), shim (K) and nut (G).
- Attach top beam (2) to back leg (3&4) using bolt (L), shim (K) and nut (G).
- Tighten screws with wrench (F)&hexagon key (H). Be careful not to over tighten.

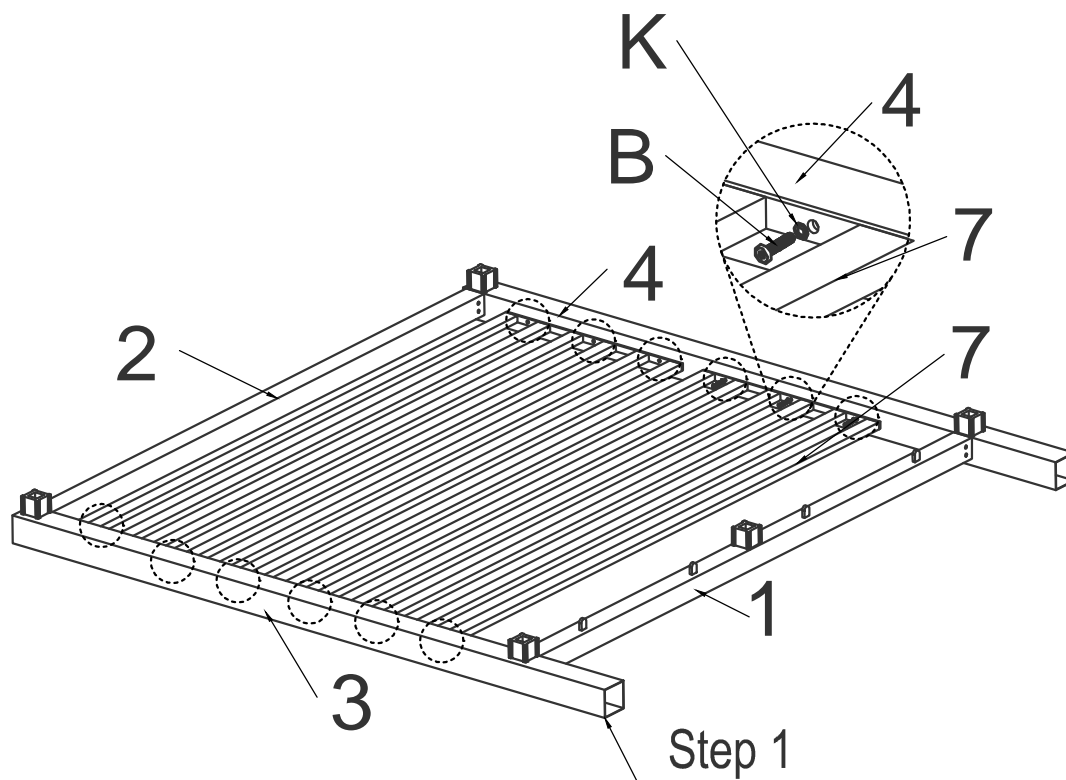


Step 2:

ITEMS REQUIRED












7. Back panel 2PC 	B. Bolt  M6*20*12PC	H. Hexagon Key  M6*1PC	K. Shim  M6*12PC
--	--	---	---

- Attach back panel (7) to assembled frame (step1) using bolt (B) and shim (K) .
- Tighten screws with hexagon Key (H).Be careful not over tighten.
- Do not step on back panel when assembling to avoid any damage.

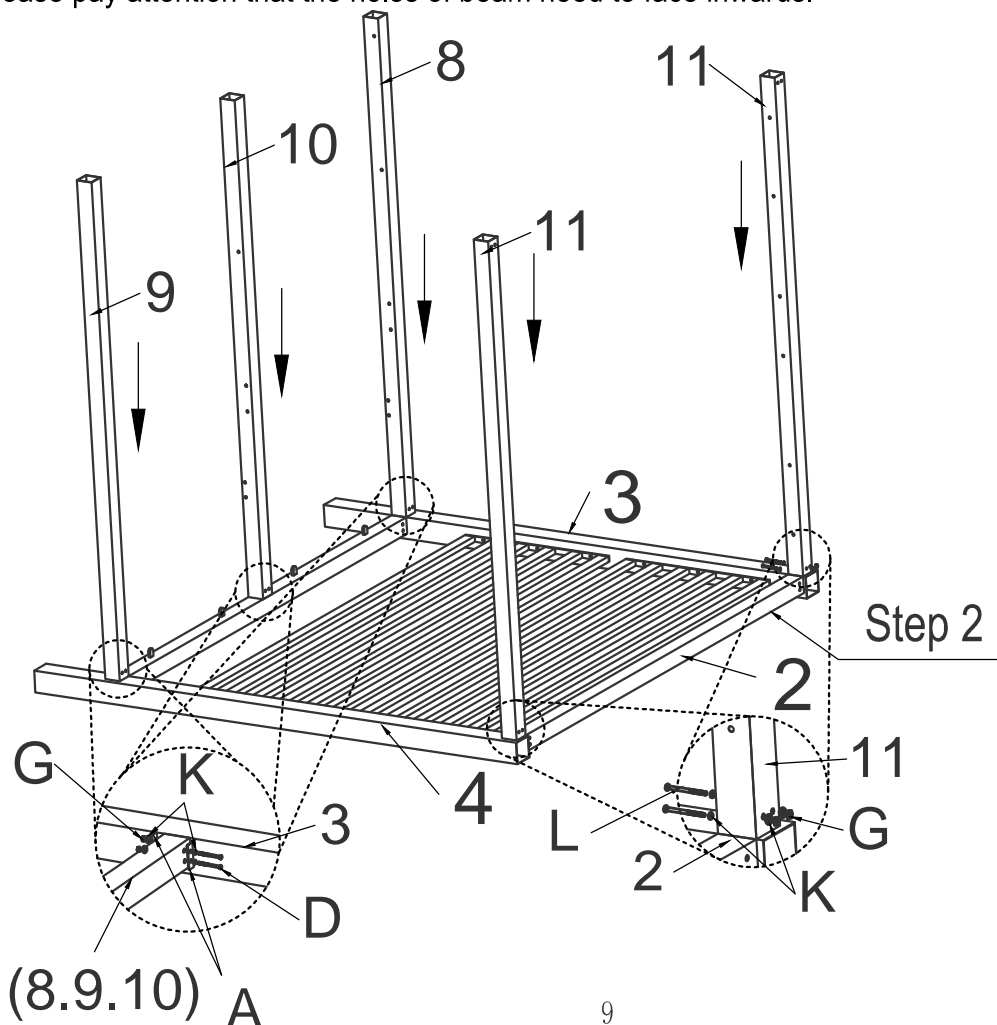


Step 3:

ITEMS REQUIRED





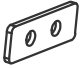







<p>8. Left beam 1PC</p> 	<p>9. Right beam 1PC</p> 	<p>10. Center beam 1PC</p> 	<p>11. Top side beam 2PC</p> 	<p>A. Washer</p>  <p>50*25*4mm*6PC</p>
<p>D. Bolt</p>  <p>M6*75*6PC</p>	<p>G. Nut</p>  <p>M6*10PC</p>	<p>F. Wrench</p>  <p>M6*1PC</p>	<p>H. Hexagon Key</p>  <p>M6*1PC</p>	<p>K. Shim</p>  <p>M6*20PC</p>
<p>L. Bolt</p>  <p>M6*70*4PC</p>				

- Attach left(8),right(9)center beam(10) to assembled frame (step2), Using washer (A) and bolt (D),shim (K) and nut (G).
- Attach top side beam (11) to assembled frame (step2) Using bolt (L) and nut (G),shim (K) .
- Tighten with wrench (F)&hexagom key (H).
- Please pay attention that the holes of beam need to face inwards.

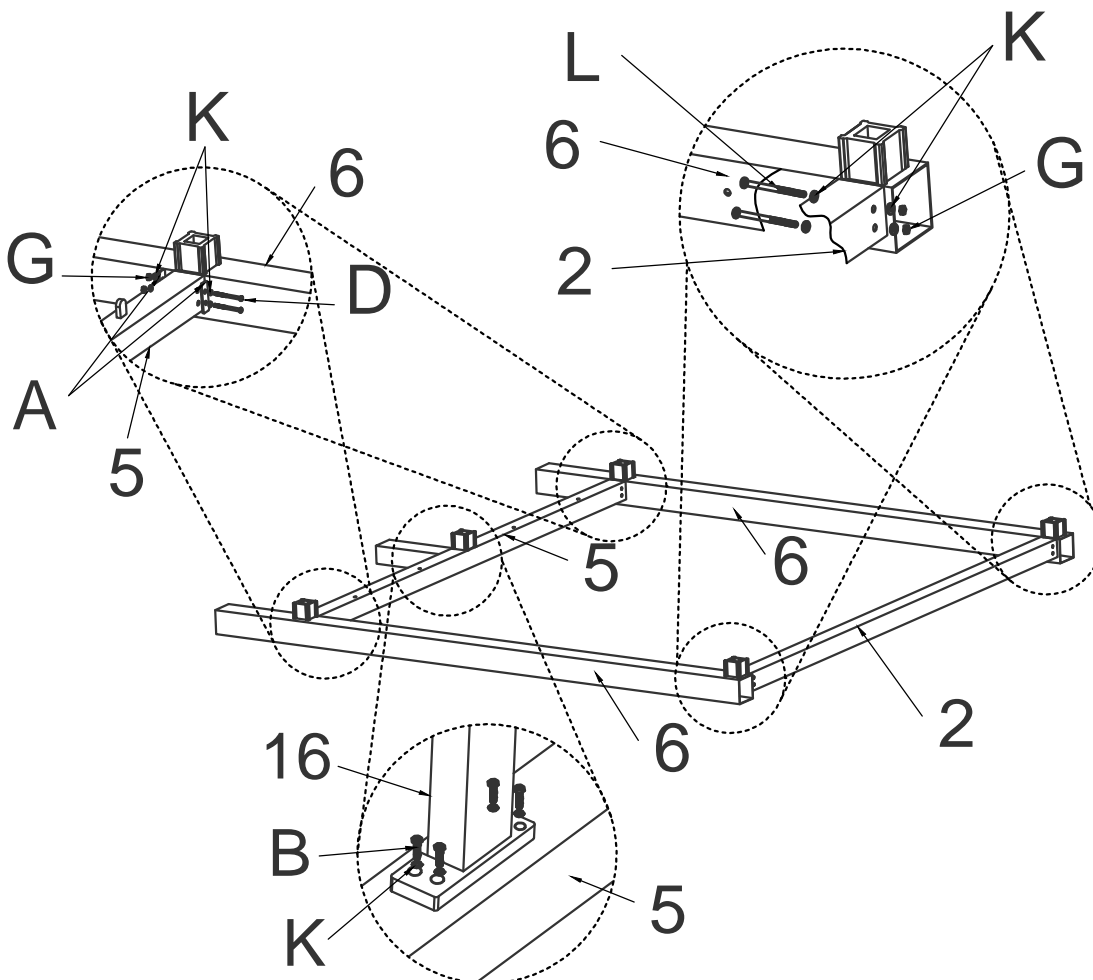


Step 4:

ITEMS REQUIRED


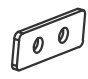







2. top beam 1PC 	5. Front cross beam 1PC 	6. Front leg 2PC 	16. Center support leg 1PC 	A. Washer  50*25*4MM*4PC
B. Bolt  M6*20*4PC	D. Bolt  M6*75*4PC	G. Nut  M6*8PC	F. Wrench  M6*1PC	H. Hexagon Key  M6*1PC
K. Shim  M6*20PC	L. Bolt  M6*70*4PC			

- Attach top side beam (2) to front leg (6), Using bolt (L) ,shim (K)and nut (G).
- Attach front cross beam (5) to front leg (6) ,using washer (A) and bolt (D) ,shim (K) and nut (G).
- Attach center support leg (16) to front cross beam (5) using bolt (B) and shim (K).
- Tighten screws with wrench (F)&hexagon key (H).Be careful not to over tighten.

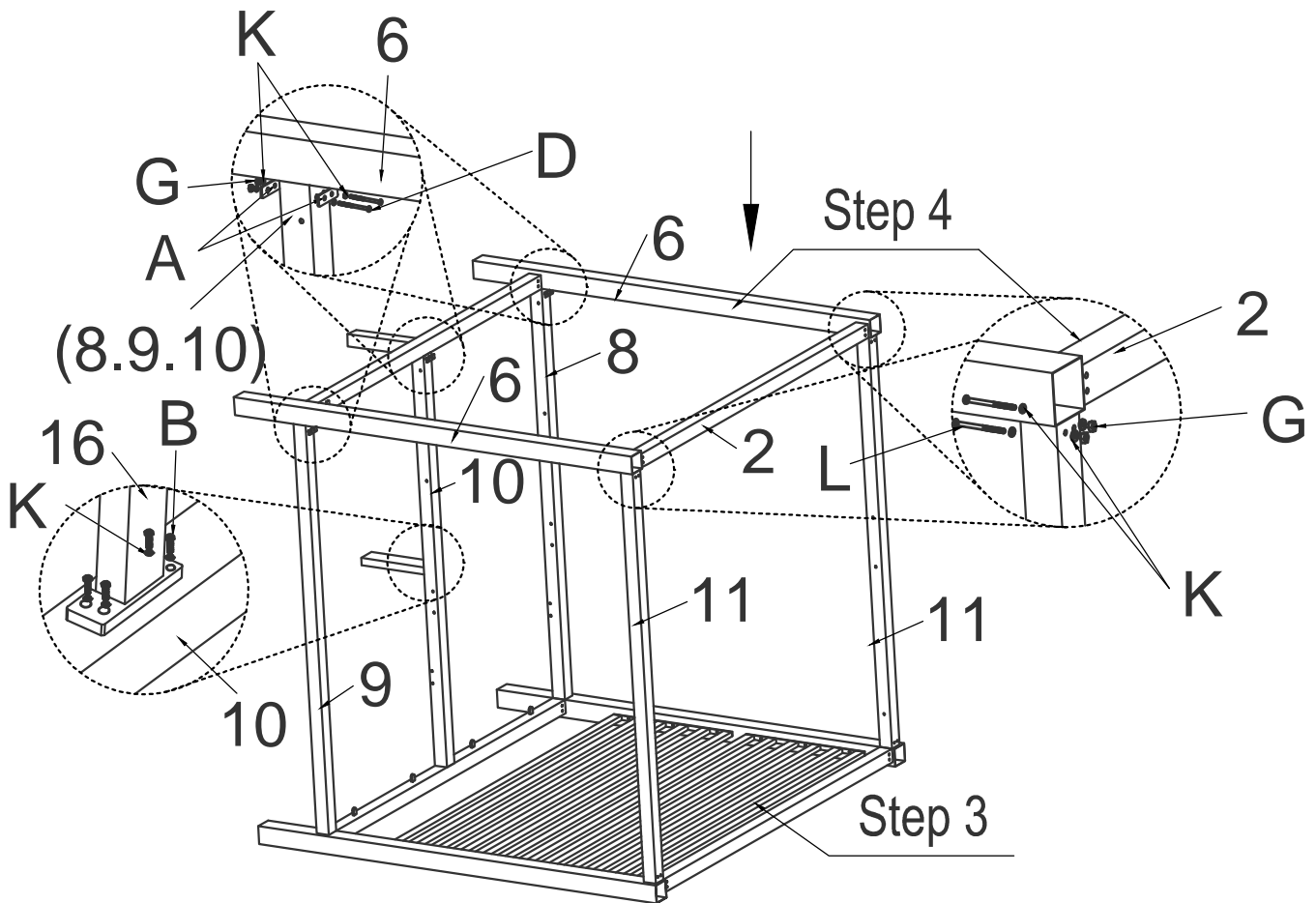


Step 5:

ITEMS REQUIRED





<p>16. 1PC Center support leg</p> 	<p>A. Washer</p>  <p>50*25*4mm*6PC</p>	<p>B. Bolt</p>  <p>M6*20*4PC</p>	<p>D. Bolt</p>  <p>M6*75*6PC</p>	
<p>G. Nut</p>  <p>M6*10PC</p>	<p>F. Wrench</p>  <p>M6*1PC</p>	<p>H. Hexagon Key</p>  <p>M6*1PC</p>	<p>K. Shim</p>  <p>M6*24PC</p>	
<p>L. Bolt</p>  <p>M6*70*4PC</p>				

- Attach frame (step4) to frame (step3) with at least 2 people.
- The base side using washer (A) and bolt (D), shim (K) and nut (G).
- The top side using bolt (L), shim (K) and nut (G).
- Attach center support leg (16) to the center beam (10) using bolt (B) and shim (K).
- Tighten screw with wrench (F)&hexagon (H).Be careful not to over tighten.

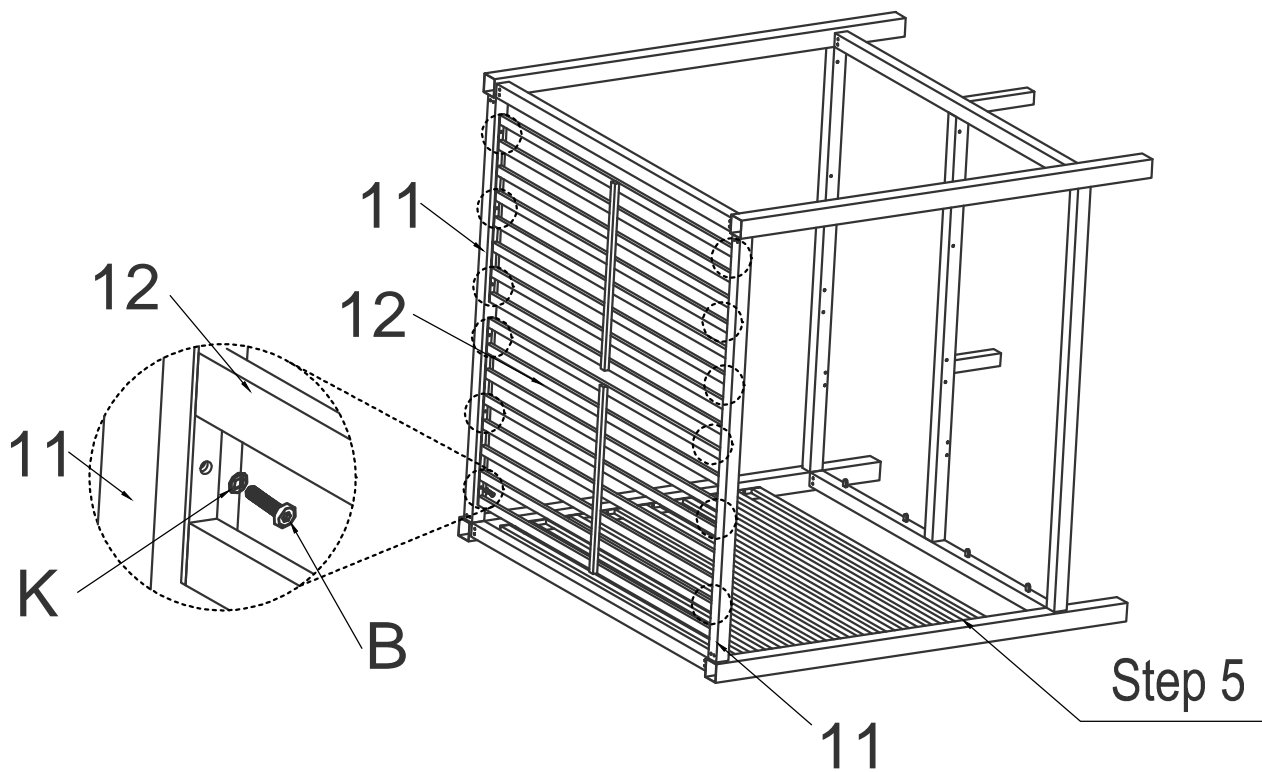


Step 6:

ITEMS REQUIRED

12. Top panel 2PC 		
B. Bolt  M6*20*12PC	H. Hexagon Key  M6*1PC	K. Shim  M6*12PC

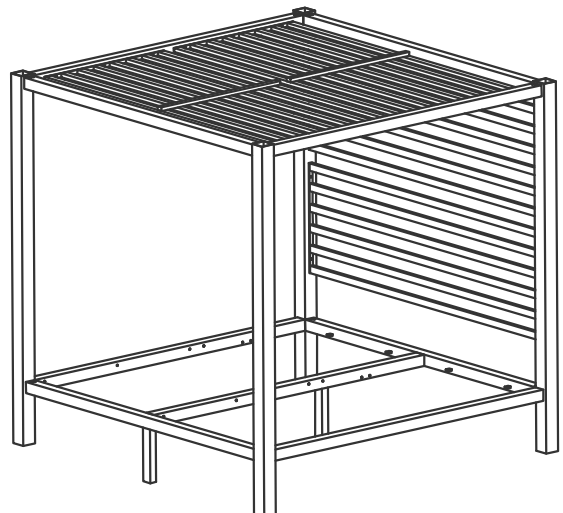
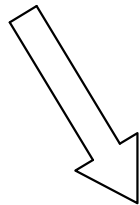
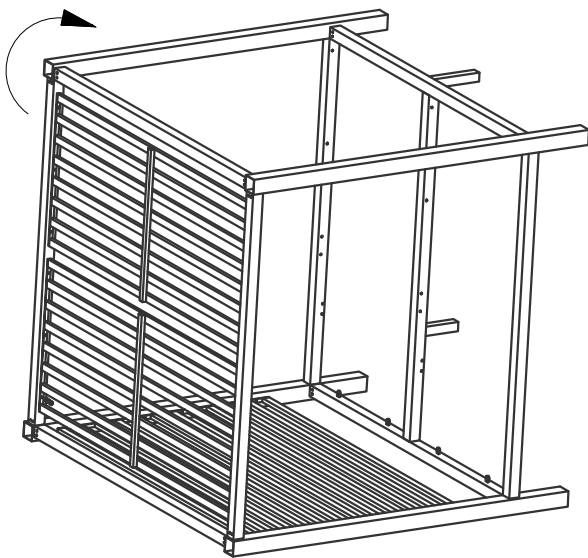
- Attach top panel (12) to top beam (11) using bolt (B) and shim (K).
- Tighten screws with wrench(F)&hexagon key (H).Be careful not to over tighten.



Step 7:





ITEMS REQUIRED

- Turn over the assembled frame (step6) as shown in below picture,with at least 2 people.
- Turn over gently,pay attention to safety.

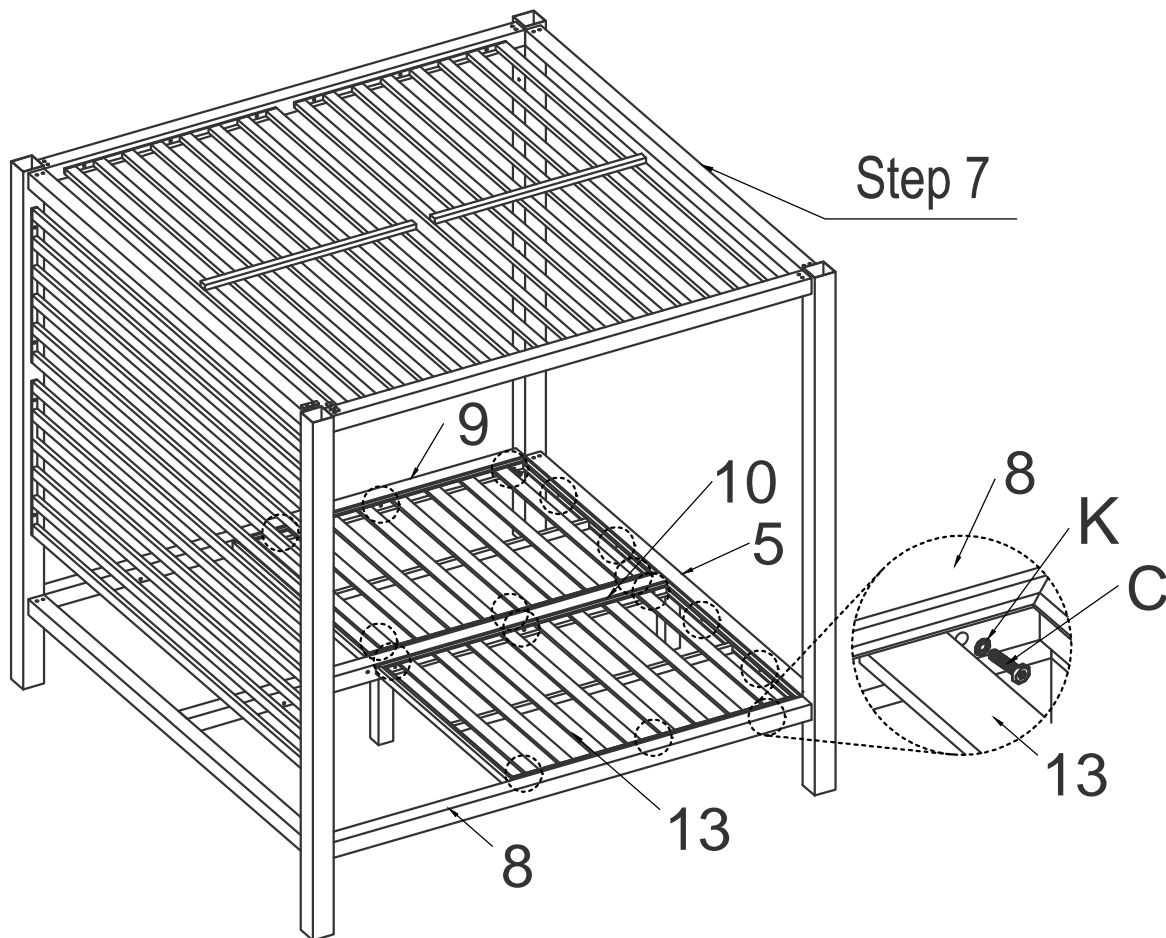


Step 8:

ITEMS REQUIRED





13. Seat panel 2PC 		
C. Bolt  M6*30*16PC	H. Hexagon Key  M6*1PC	K. Shim  M6*16PC

- Attach seat panel (13) to assembled frame (step 7) using bolt (C) and shim (K).
- Tighten with hexagon key (H).

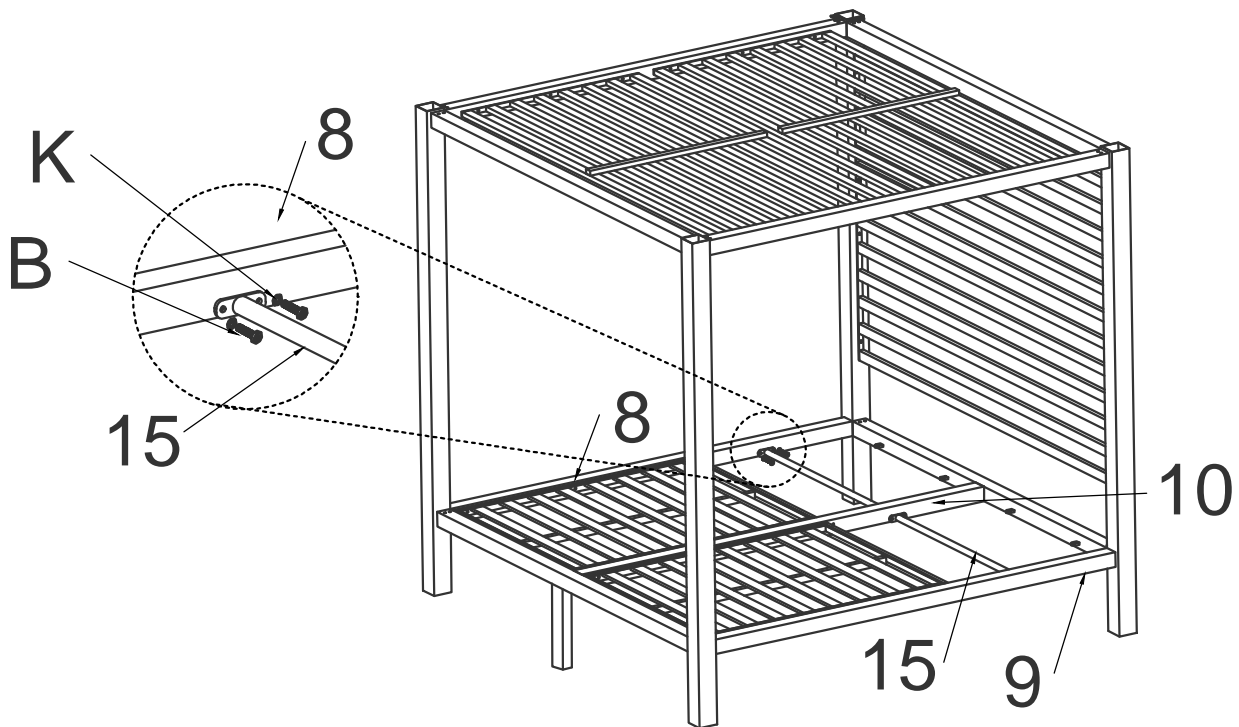


Step 9:

ITEMS REQUIRED

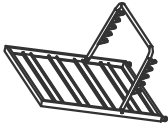




15. 2PC Back panel support bar 		
B. Bolt  M6*20*8PC	H. Hexagon Key  M6*1PC	K. Shim  M6*8PC

- Attach seat panel support bar (15) to the base beam (9&10) using bolt (B) and shim (K).
- Tighten screws with hexagon key (H), Be careful not to over tighten.

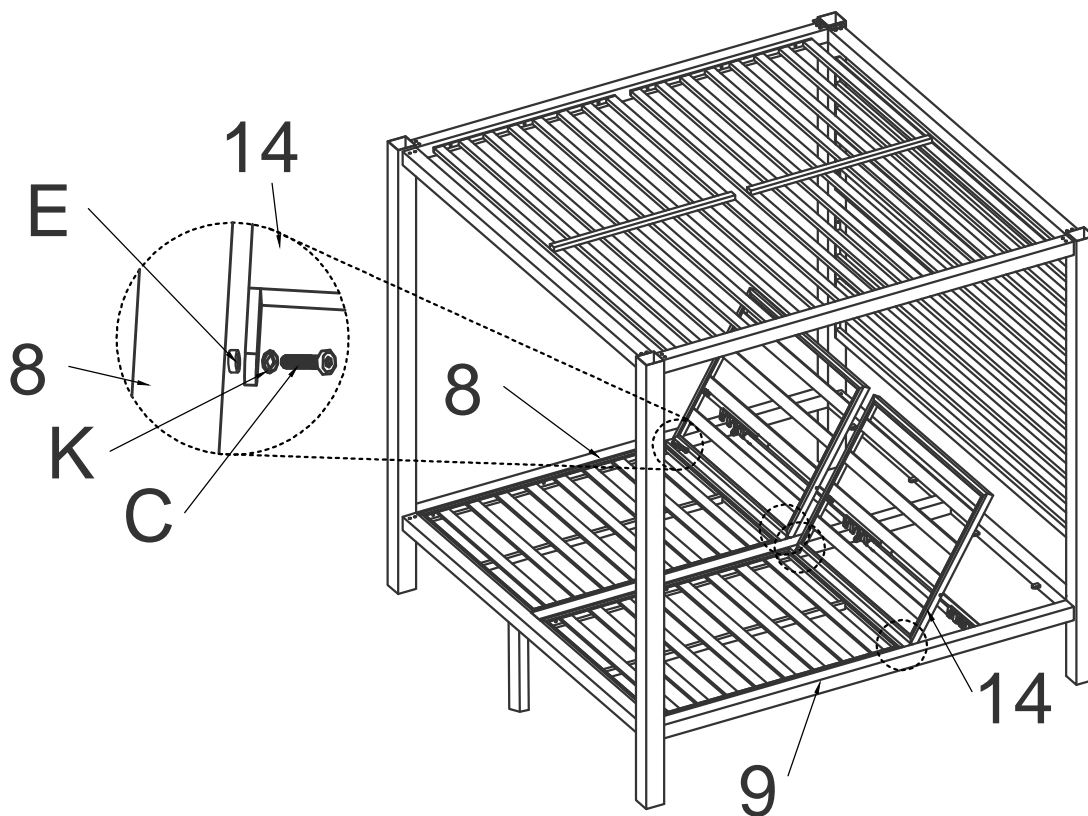


Step 10:

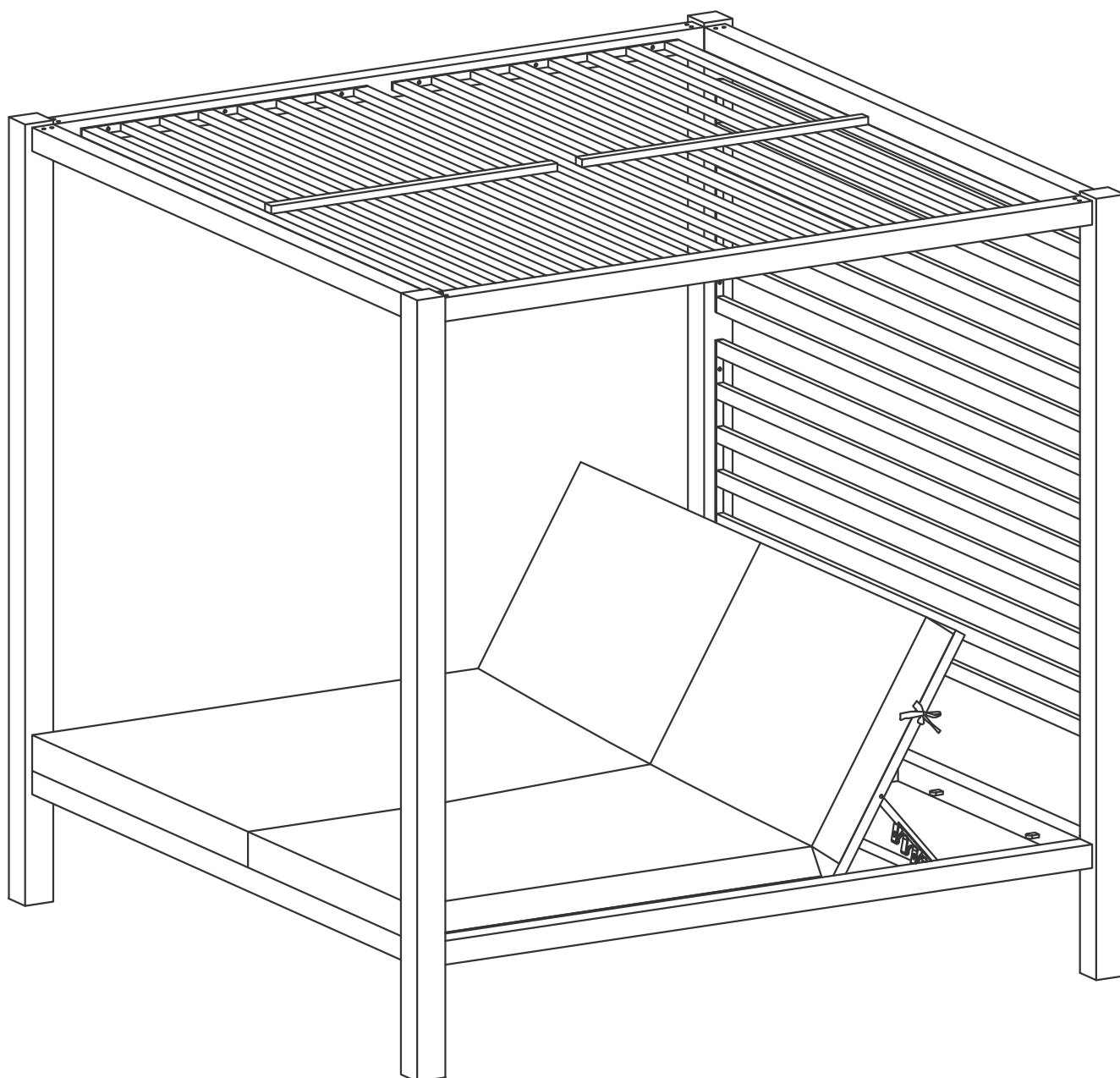
ITEMS REQUIRED

14. Back panel 2PC 	C. Bolt  M6*30*4PC	E. Plastic washer  M6*4PCS	H. Hexagon Key  M6*1PC	K. Shim  M6*4PC
---	---	---	---	--

- Attach seat back panel (14) to base frame (step9) using plastic washer (E) and bolt (C), shim (K).
- Tighten screws with hexagon key (H).
- DO NOT put finger into gap to avoid any injuries.



ASSEMBLY IS COMPLETE



Care and maintenance



Aluminium

- ☒ Item is designed for use outdoors. However we do not recommend leaving this product outside when not in use. To preserve the life of this item, avoid prolonged exposure to the elements & store inside/under cover or use an outdoor cover.
- ☒ DO NOT allow the furniture to be left in the rain or left wet for extended periods of time.
- ☒ Wipe furniture Dry immediately after it becoming wet.
- ☒ DO NOT clean your furniture down with any harsh solvents, abrasives or chemicals.
- ☒ To remove dirt and grime, simply rinse with fresh water or periodically clean using a sponge and mild detergent solution as required

Cushions

- ☒ Direct exposure to the Sun's harmful UV rays is likely to cause rapid colour fading to fabrics. For best results we recommend avoiding exposure to direct sunlight
- ☒ To ensure product longevity it is recommended outdoor products are not left permanently exposed to the elements
- ☒ Spot clean using mild detergent and damp cloth. Dry flat in shade
- ☒ Do not unzip
- ☒ Do not put in washing machine
- ☒ Do not tumble dry
- ☒ Do not bleach
- ☒ Do not dry clean
- ☒ Cool iron only